

553.5(Glass)  
 522(View Area)  
 518(Active Area)

18.25mm  
 BORDER WIDTH  
 (TOP)

362(Glass)  
 328(View Area)  
 324(Active Area)

15.75mm  
 BORDER WIDTH  
 (BOTTOM)

14.5mm  
 BORDER WIDTH  
 (LEFT)

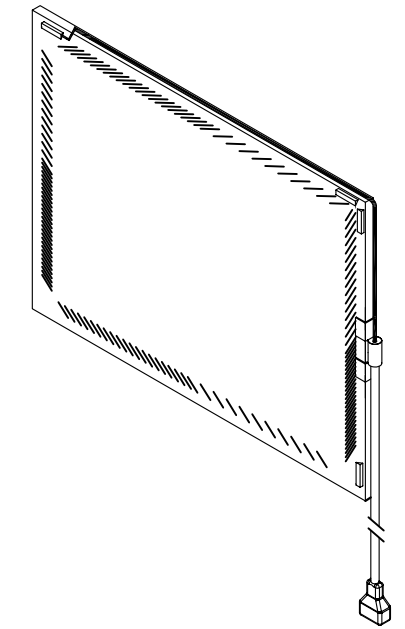
17mm BORDER WIDTH  
 (RIGHT)

700

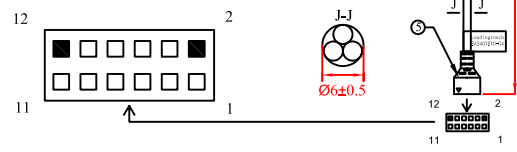
2.5

4±0.3

4±0.3



P/N	COVERSHEET TYPE	GLASS THICKNESS
SA2407S10-G4	CLEAR	4.0mm
SA2407S10-N4	ANTI-GLARE	



CONNECTION CHART			
PIN	SIGNAL	INSULATION COLOR	JACKET COLOR
1	GROUND	OVERALL SHIELD	
2	KEY		
3	Y RECEIVE+	BLU	BLK
4	Y TRANSMIT+	BLU	GRY
5	Y RECEIVE-	BLK	BLK
6	Y TRANSMIT-	YEL	GRY
7	GROUND	INNER SHIELD	
8	X TRANSMIT-	RED	RED
9	X RECEIVE-	RED	BLK
10	X TRANSMIT+	GRN	RED
11	X RECEIVE+	WHT	BLK
12	KEY		

- NOTES:
- ALL DIMENSIONS ARE IN MILLIMETERS. DIMENSIONS SHOWN ARE PROJECTED DISTANCES.
  - GLASS THICKNESS:4±0.3mm NOMINAL.
  - TRANSDUCERS ARE LOCATED AT THE POSITIONS SHOWN. HEIGHT OF TRANSDUCERS ABOVE GLASS: 2.5mm MAXIMUM.
  - CABLE ROUTING ADDS A MAXIMUM OF 2.5mm AS INDICATED ON THE SCREEN. CABLE IS ROUTED ALONG THE BEVEL.
  - LINE 14-6CX-XXX, WITH 2x6 HOUSING RECEPTACLES, CONNECT TO  
 ----SAW SERIAL CONTROL BOARD SAW232(6000S)  
 ----SAW USB CONTROL BOARD SAWUSB (6000U)
  - THE TOUCH ACTIVE AREA IS LESS THAN THE VIEWABLE AREA TO FACILITATE SEALING.

					<b>Leading Touch</b> DO NOT SCALE DRAWING UNLESS OTHERWISE SPECIFIED ALL DIMENSIONS ARE IN MILLIMETERS TOLERANCES ARE: LINEAR TOL: X=±1.0 .XX=±0.5 ANGULAR TOL: ±1°	MODEL SA2407S10-G4	PROJECTION 
						DESCRIPTION 24" SAW touchscreen for AUO M240UW01_V3	SIZE: A4
						FINISH	WEIGHT: Kg
							COLOR:
A0	FIRST ISSUE	08-8-13	Found	BING	CLOUD		
REV.	DESCRIPTION	DATE	DRAW	CHECK	APPROVE	DRAWING NO.:	SHEET 1 OF 1

I H G F E D C B A