

17.3mm BORDER WIDTH (TOP)

435±1.0 (Glass)

413.5±0.8 (View Area)

409.8 (Active Area)

259±1.0 (Glass)

234.5±0.8 (View Area)

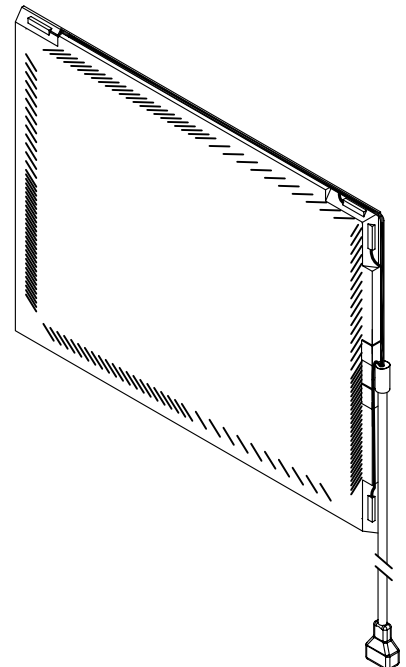
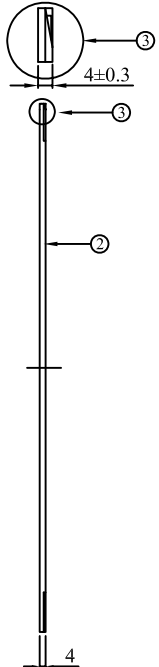
230.4 (Active Area)

11.3mm BORDER WIDTH (BOTTOM)

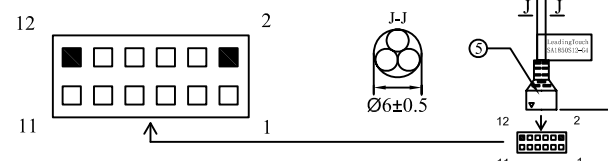
9.6mm BORDER WIDTH (LEFT)

15.6mm BORDER WIDTH (RIGHT)

760



P/N	SURFACE FINISH	GLASS THICKNESS
SA1850S12-G4	CLEAR	4
SA1850S12-N4	ANTI-GLARE	4



CONNECTION CHART			
PIN	SIGNAL	INSULATION COLOR	JACKET COLOR
1	GROUND	OVERALL SHIELD	
2	KEY		
3	Y RECEIVE+	BLU	BLK
4	Y TRANSMIT+	BLU	GRY
5	Y RECEIVE-	BLK	BLK
6	Y TRANSMIT-	YEL	GRY
7	GROUND	INNER SHIELD	
8	X TRANSMIT-	RED	RED
9	X RECEIVE-	RED	BLK
10	X TRANSMIT+	GRN	RED
11	X RECEIVE+	WHT	BLK
12	KEY		

NOTES:

1. ALL DIMENSIONS ARE IN MILLIMETERS. DIMENSIONS SHOWN ARE PROJECTED DISTANCES.

2. GLASS THICKNESS: 4.0mm NOMINAL.

3. TRANSDUCERS ARE LOCATED AT THE POSITIONS SHOWN. GLASS IS BEVELED UNDER TRANSDUCERS. HEIGHT OF TRANSDUCERS BELOW GLASS: 1.0mm MAXIMUM.

4. CABLE ROUTING ADDS A MAXIMUM OF 2.5mm AS INDICATED ON THE SCREEN. CABLE IS ROUTED ALONG THE BEVEL.

5. LINE 14-6CX-XXX, WITH 2x6 HOUSING RECEPTACLES. CONNECT TO
 ----SAW SERIAL CONTROL BOARD SAW232(6000S)
 ----SAW USB CONTROL BOARD SAWUSB (6000U)

6. THE TOUCH ACTIVE AREA IS LESS THAN THE VIEWABLE AREA TO FACILITATE SEALING.

						Leading Touch DO NOT SCALE DRAWING UNLESS OTHERWISE SPECIFIED ALL DIMENSIONS ARE IN MILLIMETERS TOLERANCES ARE: LINEAR TOL: .X=±1.0 .XX=±0.5 ANGULAR TOL: ±1°	MODEL	PROJECTION
							SA1850S12-G4	
							DESCRIPTION	SIZE: A4
							MATERIAL	SCALE 1:1
						FINISH	WEIGHT:	
							Kg	
							COLOR:	
A0	FIRST ISSUE	09-3-17	Found	HONEST	GRAY			
REV.	DESCRIPTION	DATE	DRAW	CHECK	APPROVE	DRAWING NO.:	SHEET 1 OF 1	
							REV. A0	