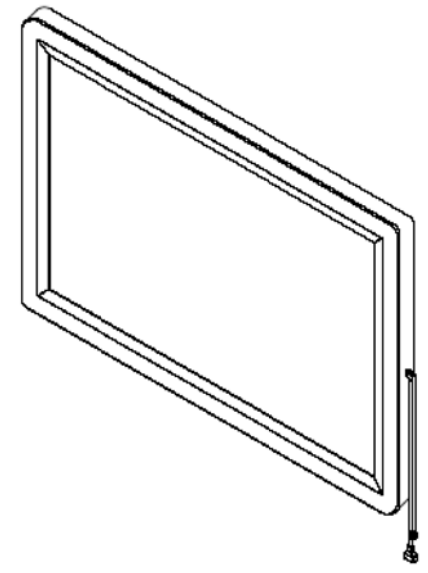
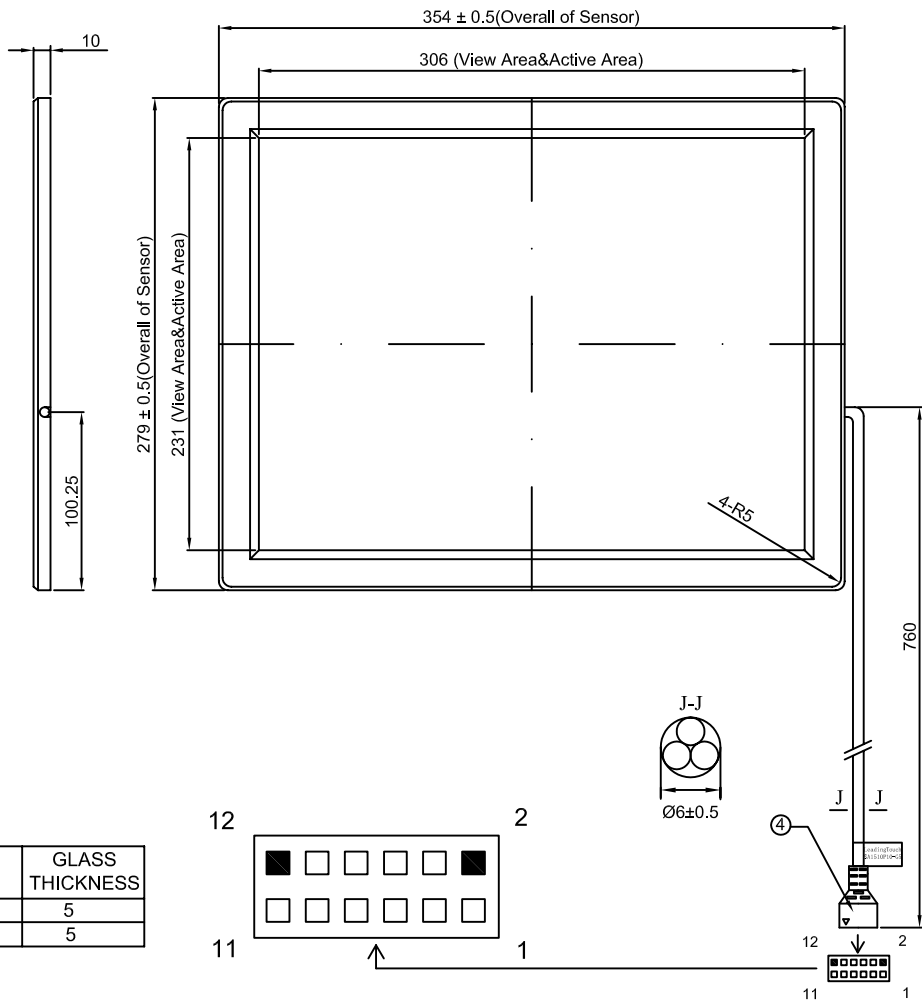


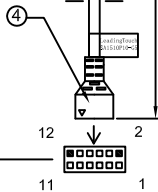
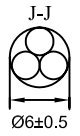
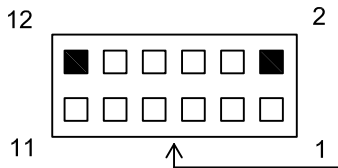
I H G F E D C B A

6
5
4
3
2
1

6
5
4
3
2
1



P/N	SURFACE FINISH	GLASS THICKNESS
SA1510P10-G5	CLEAR	5
SA1510P10-N5	ANTI-GLARE	5



CONNECTION CHART			
PIN	SIGNAL	INSULATION COLOR	JACKET COLOR
1	GROUND	OVERALL SHIELD	
2	KEY		
3	Y RECEIVE+	BLU	BLK
4	Y TRANSMIT+	BLU	GRY
5	Y RECEIVE-	BLK	BLK
6	Y TRANSMIT-	YEL	GRY
7	GROUND	INNER SHIELD	
8	X TRANSMIT-	RED	RED
9	X RECEIVE-	RED	BLK
10	X TRANSMIT+	GRN	RED
11	X RECEIVE+	WHT	BLK
12	KEY		

- NOTES:
1. ALL DIMENSIONS ARE IN MILLIMETERS. DIMENSIONS SHOWN ARE PROJECTED DISTANCES.
 2. THE HEAT STRENGTHENED GLASS THICKNESS:5mm NOMINAL.
 3. WATERPROOF, DUSTPROOF, ANTIMAGNETIC, ANTISTATIC AND BREAK RESISTANT PERFORMANCES.
 4. THE OUTER SHELL ADOPTS SPRAY-PLASTIC OF STAINLESS STEEL AND PLASTIC, AND THE COLOR IS BLACK.
- ⑤ LINE 14-6CX-XXX, WITH 2x6 HOUSING RECEPTACLES, CONNECT TO
 ----SAW SERIAL CONTROL BOARD SAW232(6000S)
 ----SAW USB CONTROL BOARD SAWUSB (6000U)

						MODEL SA1510P10-G5	PROJECTION
						DESCRIPTION 15" IP level SAW touchscreen	SIZE: A4 SCALE 1:1 WEIGHT: Kg COLOR: BLACK
DO NOT SCALE DRAWING UNLESS OTHERWISE SPECIFIED ALL DIMENSIONS ARE IN MILLIMETERS TOLERANCES ARE: LINEAR TOL: .X=±1.0 .XX=±0.5 ANGULAR TOL: ±1°							
A	FIRST ISSUE	11-09-15	Jocelyn	BING	CLOUD		
REV.	DESCRIPTION	DATE	DRAW	CHECK	APPROVE	DRAWING NO.:	SHEET 1 OF 1

I H G F E D C B A