

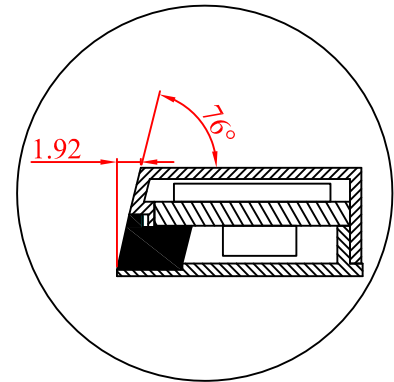
6
5
4
3
2
1

6
5
4
3
2
1

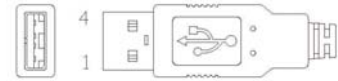
I H G F E D C B A

I H G F E D C B A

1197
1161.84(Bezel Opening)
1158(Active Area)
693
657.84(Bezel Opening)
654(Active Area)
1203(52 inch ref)
19.5



Detail A
6:1



Number	Signal name
1	+5V
2	D-
3	D+
4	GND

P/N	DESCRIPTION	GLASS TYPE	DEPTH DETAILS	NET WEIGHT
IRS5201U1-G00	52" single-touch infrared touchscreen	no glass	9mm	0.85kg
IRS5201U1-G41		4mm tempered clear glass	13.5mm	TBD
IRS5201U1-N41		4mm tempered anti-glare glass		
IRS5201U1-A41		4mm tempered anti-reflective glass		
IRS5201U8-G00	52" multi-touch infrared touchscreen	no glass	9mm	0.85kg
IRS5201U8-G41		4mm tempered clear glass	13.5mm	TBD
IRS5201U8-N41		4mm tempered anti-glare glass		
IRS5201U8-A41		4mm tempered anti-reflective glass		

NOTE:
 1. IRS5201U1 SERIES: SINGLE-TOUCH MODE;
 IRS5201U8 SERIES: MULTI-TOUCH MODE.
 2. PANEL TAIL CONNECTOR:USB MALE.
 3. FRAME MATERIAL IS ALUMINUM ALLOY.
 4. DEPTH:SEE DETAILS IN RIGHT TABLE FOR VARIOUS P/N.
 5. ALL DIMENSIONS ARE IN MILLIMETERS.

Leading Touch

DO NOT SCALE DRAWING
 UNLESS OTHERWISE
 SPECIFIED
 ALL DIMENSIONS ARE IN
 MILLIMETERS
 TOLERANCES ARE:
 LINEAR TOL: .X \pm 1.0
 .XX \pm 0.5
 ANGULAR TOL: \pm 1°

MODEL	PROJECTION
IRS5201U	
DESCRIPTION	SIZE: A4
52" Infrared Touchscreen USB Interface	NO SCALE
ASPECT RATIO 16:9	COLOR: BLACK

REV.	DESCRIPTION	DATE	DRAW	CHECK	APPROVE
A	FIRST ISSUE	11-10-14	Rong	Jocelyn	Cloud