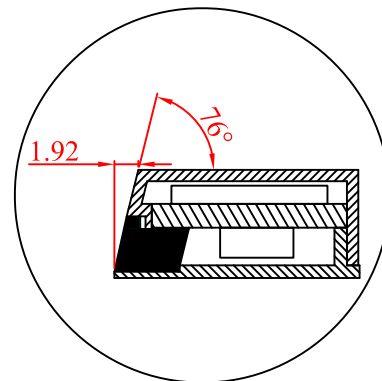
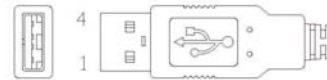


1022.8(40.27 inch ref)



Detail A
6:1



Number	Signal name
1	+5V
2	D-
3	D+
4	GND

P/N	DESCRIPTION	GLASS TYPE	DEPTH DETAILS	NET WEIGHT
IRS4011U1-G00	40" single-touch infrared touchscreen	no glass	9mm	0.65kg
IRS4011U1-G41		4mm tempered clear glass	13.5mm	5.6kg
IRS4011U1-N41		4mm tempered anti-glare glass		
IRS4011U1-A41		4mm tempered anti-reflective glass		
IRS4011U8-G00	40" multi-touch infrared touchscreen	no glass	9mm	0.65kg
IRS4011U8-G41		4mm tempered clear glass	13.5mm	5.6kg
IRS4011U8-N41		4mm tempered anti-glare glass		
IRS4011U8-A41		4mm tempered anti-reflective glass		

NOTE:
 1. IRS4011U1 SERIES: SINGLE-TOUCH MODE;
 IRS4011U8 SERIES: MULTI-TOUCH MODE.
 2. PANEL TAIL CONNECTOR:USB MALE.
 3. FRAME MATERIAL IS ALUMINUM ALLOY.
 4. DEPTH:SEE DETAILS IN RIGHT TABLE FOR VARIOUS P/N.
 5. ALL DIMENSIONS ARE IN MILLIMETERS.

Leading Touch

DO NOT SCALE DRAWING UNLESS OTHERWISE SPECIFIED
 ALL DIMENSIONS ARE IN MILLIMETERS
 TOLERANCES ARE:
 LINEAR TOL: .XX±0.5
 ANGULAR TOL: ±1°

MODEL IRS4011U	PROJECTION
DESCRIPTION 40" Infrared Touchscreen USB Interface	SIZE: A4 NO SCALE COLOR: BLACK

REV.	DESCRIPTION	DATE	DRAW	CHECK	APPROVE	DRAWING NO.:
A	FIRST ISSUE	11-03-14	Fang	Jocelyn	Cloud	