

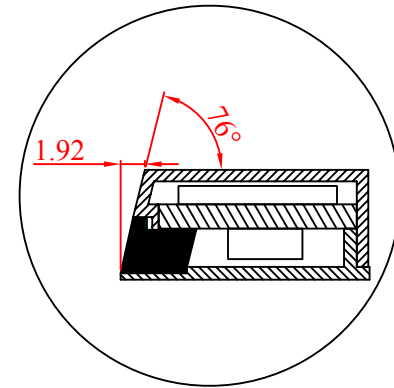
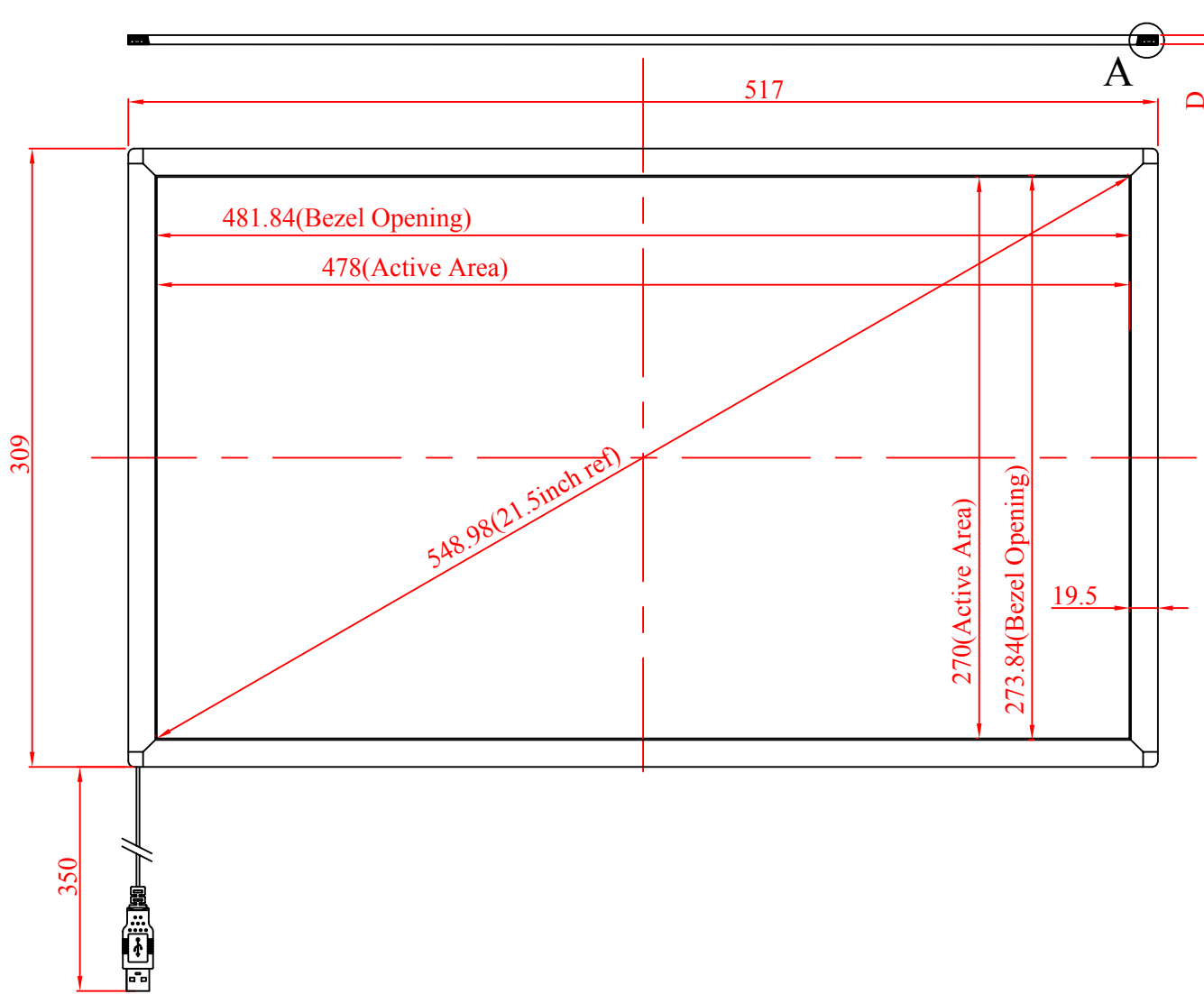
Detail A
6:1

Number	Signal name
1	+5V
2	D-
3	D+
4	GND

P/N	DESCRIPTION	GLASS TYPE	DEPTH DETAILS	NET WEIGHT
IRS2151U1-G00	21.5" single-touch infrared touchscreen	no glass	9mm	0.3kg
IRS2151U1-G41		4mm tempered clear glass	13.5mm	2kg
IRS2151U1-N41		4mm tempered anti-glare glass		
IRS2151U1-A41		4mm tempered anti-reflective glass		
IRS2151U8-G00	21.5" multi-touch infrared touchscreen	no glass	9mm	0.3kg
IRS2151U8-G41		4mm tempered clear glass	13.5mm	2kg
IRS2151U8-N41		4mm tempered anti-glare glass		
IRS2151U8-A41		4mm tempered anti-reflective glass		

						Leading Touch <small>DO NOT SCALE DRAWING UNLESS OTHERWISE SPECIFIED ALL DIMENSIONS ARE IN MILLIMETERS TOLERANCES ARE: LINEAR TOL: .X±1.0 .XX±0.5 ANGULAR TOL: ±1°</small>	MODEL IRS2151U	PROJECTION
							DESCRIPTION 21.5" Infrared Touchscreen USB Interface	SIZE: A4 NO SCALE COLOR: BLACK
A	FIRST ISSUE	10-12-27	Fang	Jocelyn	Cloud	DRAWING NO.:	SHEET 1 OF 1	REV. A

- NOTE:
- IRS2151U1 SERIES: SINGLE-TOUCH MODE;
IRS2151U8 SERIES: MULTI-TOUCH MODE.
 - PANEL TAIL CONNECTOR:USB MALE.
 - FRAME MATERIAL IS ALUMINUM ALLOY.
 - DEPTH:SEE DETAILS IN RIGHT TABLE FOR VARIOUS P/N.
 - ALL DIMENSIONS ARE IN MILLIMETERS.



Detail A
6:1