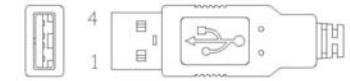
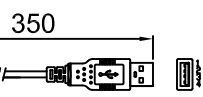
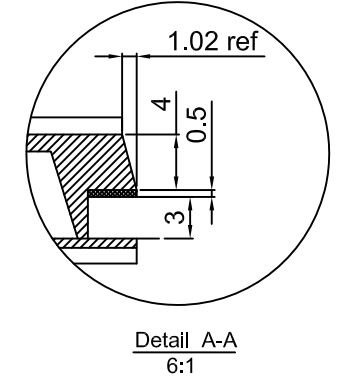
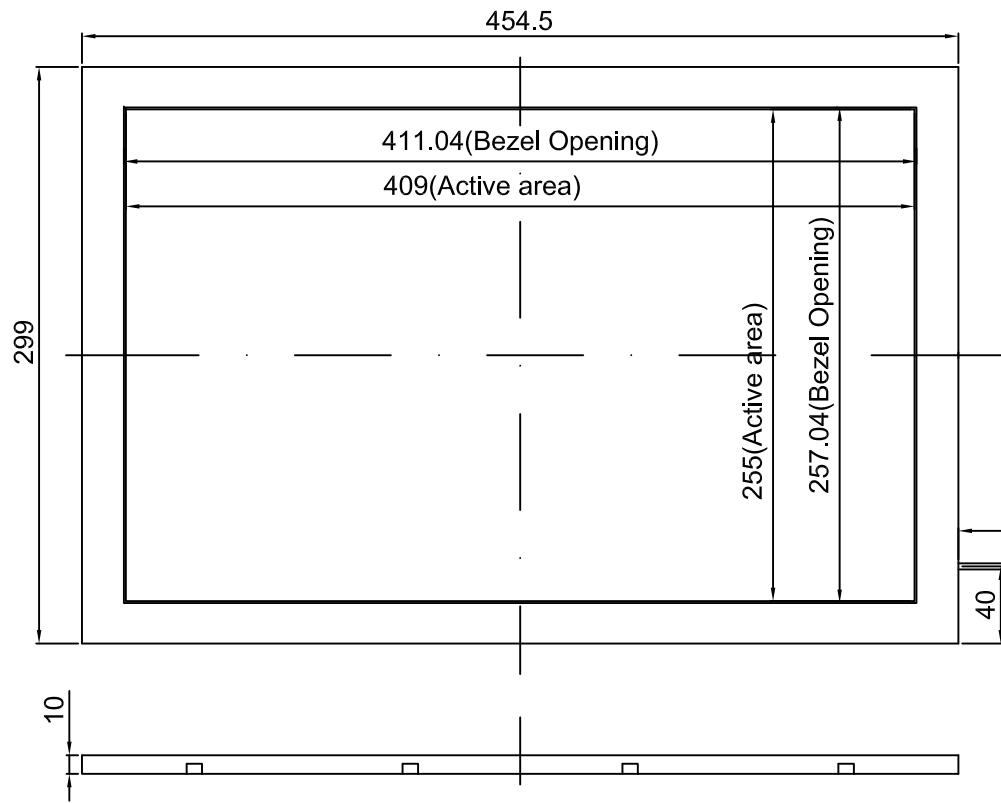


I H G F E D C B A

6
5
4
3
2
1

6
5
4
3
2
1



Number	Signal name
1	+5V
2	D-
3	D+
4	GND

P/N	DESCRIPTION	GLASS TYPE	DEPTH DETAILS	NET WEIGHT
IRM1911U1-G31	19" wide single-touch infrared touchscreen	3mm tempered clear glass	10mm	TBD
IRM1911U1-N31		3mm tempered anti-glare glass		
IRM1911U1-A31		3mm tempered anti-reflective glass		
IRM1911U8-G31	19" wide multi-touch infrared touchscreen	3mm tempered clear glass	10mm	TBD
IRM1911U8-N31		3mm tempered anti-glare glass		
IRM1911U8-A31		3mm tempered anti-reflective glass		

						Leading Touch DO NOT SCALE DRAWING UNLESS OTHERWISE SPECIFIED ALL DIMENSIONS ARE IN MILLIMETERS TOLERANCES ARE: LINEAR TOL: .XX±1.0 ANGULAR TOL: ±1°	MODEL IRM1911U	PROJECTION
							DESCRIPTION 19" wide Infrared Touchscreen USB Interface	SIZE: A4 NO SCALE
							ASPECT RATIO 16:10	COLOR: BLACK
A	FIRST ISSUE	11-10-09	Rong	Jocelyn	Cloud	DRAWING NO.:		SHEET 1 OF 1
REV.	DESCRIPTION	DATE	DRAW	CHECK	APPROVE			REV. A

NOTE:
 1. IRM1911U1 SERIES: SINGLE-TOUCH MODE;
 IRM1911U8 SERIES: MULTI-TOUCH MODE.
 2. PANEL TAIL CONNECTOR:USB MALE.
 3. FRAME MATERIAL IS METAL.THE FRAME IS HIGHER THAN THE GLASS SURFACE FOR 4.5MM.
 4. ALL DIMENSIONS ARE IN MILLIMETERS.

I H G F E D C B A