

22" Rear Mount Touchmonitor

TM-2237

Features

- Rear Mount
- Slim profile with unique narrow border
- Multiple mounting options
- Rear-mount VESA mounting option and removable wing bracket for VESA
- Detachable cables for easy cable harnessing
- Single power supply for all optional devices
- Multilingual and detachable On Screen Display (OSD)
- Comb Serial and USB touch interface
- Super-sensitive, drift-free, precise touch with no overlay
- Long-lasting product cycle
- Worldwide agency approvals



22" Rear Mount Touchmonitor

TM-2237

Leadingtouch Rear Mount LCD's touchmonitors are designed for easy integration into kiosk, gaming machine, industrial enclosure and other installations where compact, touch-integrated display are preferred. TM-223 series integrate the Leadingtouch's IP65 level SAW, 4-Wire resistive, 5-Wire resistive or capacitive touchscreen, TM-223 series is Dustproof and Waterproof touchmonitors.

TM-223 series are designed for space saving and easy mounting integrations. The rear-mount configuration along with optional side mounting brackets would enable you to easily customize into kiosks, cabinets, in-wall as well as other enclosures.

TM-223 series will have Leadingtouch Combo controller with dual touch ports for convenience and flexibility. It will enable you to use both the



Product Information

P/N	Touch Technology
TM-2239	SAW touchscreen
TM-2237	Capacitive touchscreen
TM-2234	4 Wire Resistive touchscreen
TM-2235	5 Wire Resistive touchscreen

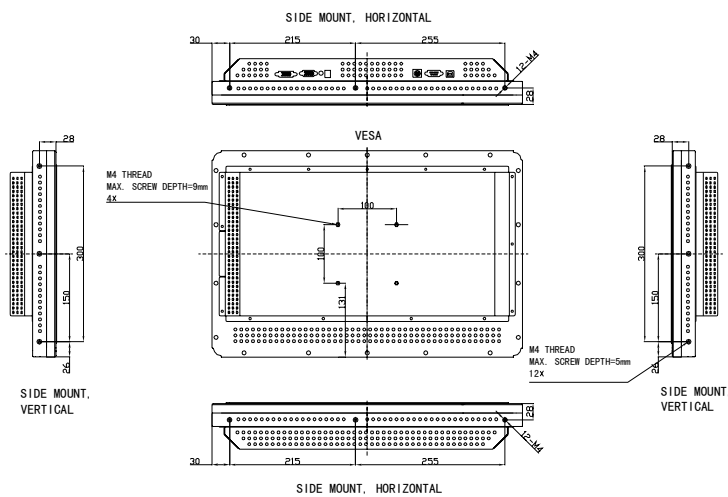
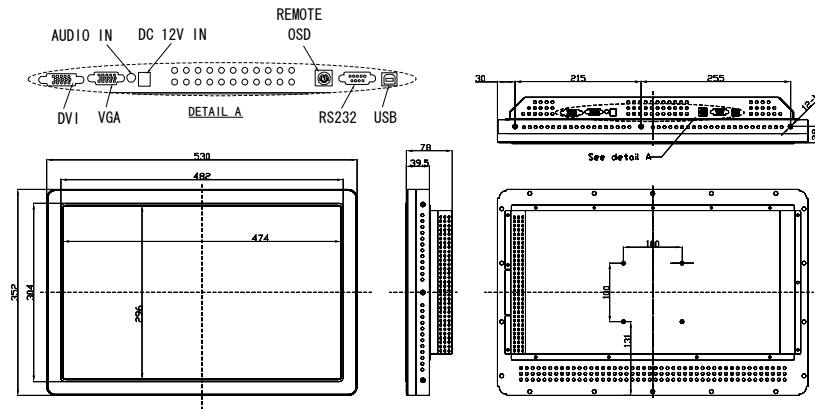
Specifications

Model	TM-2237
Description	22" wide screen TFT Rear Mount Touchmonitor
Case/Bezel Color	Plastic / Black
Display	16:10 Ratio Active matrix TFT LCD
Optimal(native) resolution	1680 x 1050 @ 60Hz
Synchronization Range	72.1 KHz horizontal, 60 Hz vertical
Useful screen area	Horizontal: 18.66" (474 mm); Vertical: 11.65" (296 mm)
Colors	16.7 million
Brightness	LCD panel: 300cd/m2 (typical) With touchscreen: 280 cd/m2 (typical)
Pixel Pitch	0.282 x 0.282 mm
Response Time	5 msec (typical)
Contrast ratio	1000:1 typical
Viewing angle(typical, from center)	Horizontal (left/right): 170°(85° /85°) Vertical (up/down): 160°(80° /80°)
Backlight Lamp life	50,000 Hrs to 1/2 brightness
Input video format	Analog (VGA) and DVI
Input video signal connector	Analog (VGA) and DVI
On Screen Display(OSD)	Remote OSD with 1.2m Cable
Touch Technology	Capacitive
Touch Interface	Combo 10ms 232 and USB interface
Touch Resistive Time	10ms
Mounting Options	Rear Fixed, 100mm VESA mount
Power supply	External:100-240V AC, 50-60 Hz
Power Consumption	31W Typical
Temperature Range	Operating:0° C-50° C, Storage:-20° C-60° C
Humidity Range	Operating:8%-90%, Storage 5%-90%
Touchmonitor Dimension	530 x 352 x 79.4(mm)
Shipping Carton Dimension	630x 452 x 190(mm)
Weight(approx.)	Monitor:7kg / shipping: 10kg
Warranty	Monitor: 3 years'; LCD Panel: 1 year
Agency Approvals	FCC, CE, RoHS compliant

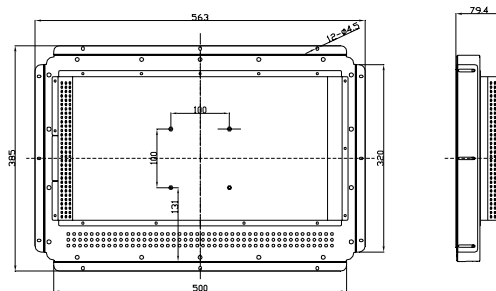


22" Rear Mount Touchmonitor

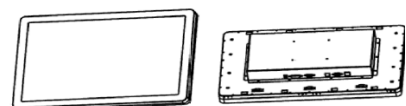
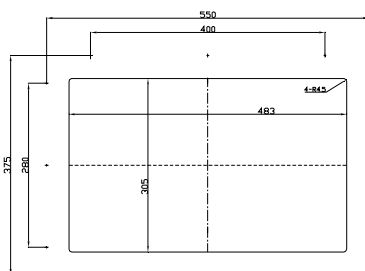
TM-2237



REAR MOUNT WITH BRACKETS,
HORIZONTAL AND VERTICAL



RECOMMENDED CUSTOMER PANEL
CUT-OUT



22" Rear Mount Touchmonitor

TM-2237

Optional Accessory: Remote OSD Controller Box

