



19" Open Frame Touchmonitor

TM-1954

Features

- Open Frame
- Slim profile with unique narrow border
- Multiple mounting options
- Open-Frame VESA mounting option and removable wing bracket for VESA
- Detachable cables for easy cable harnessing
- Single power supply for all optional devices
- Multilingual and detachable On Screen Display (OSD)
- Comb Serial and USB touch interface
- Super-sensitive, drift-free, precise touch with no overlay
- Long-lasting product cycle
- Worldwide agency approvals



19" Open Frame Touchmonitor

TM-1954



Leadtouch Open Frame LCD's touchmonitors are designed for easy integration into kiosk, gaming machine, industrial enclosure and other installations where compact, touch-integrated display are preferred.

TM-195 series integrate the Leadtouch's IP65 level SAW, Resistive, Capacitive or Infrared touchscreen, TM-195 series is Dustproof and Waterproof touchmonitors.

TM-195 series are designed for space saving and easy mounting integrations. The Open-frame configuration would enable you to easily customize into kiosks, cabinets, in-wall as well as other enclosures.

TM-195 series will have Leadtouch Combo controller with dual touch ports for convenience and flexibility. It will enable you to use both the Serial RS-232 as well as USB port for your touchscreen application

Product Information

| P/N | Touch Technology |
|---------|------------------------------|
| TM-1959 | SAW touchscreen |
| TM-1958 | Infrared touchscreen |
| TM-1957 | Capacitive touchscreen |
| TM-1954 | 4 Wire Resistive touchscreen |
| TM-1955 | 5 Wire Resistive touchscreen |

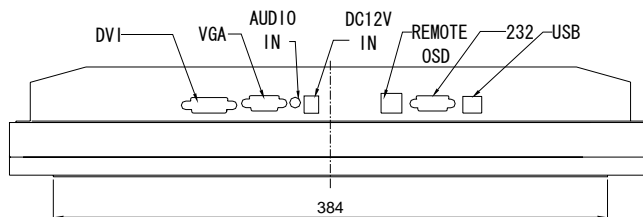
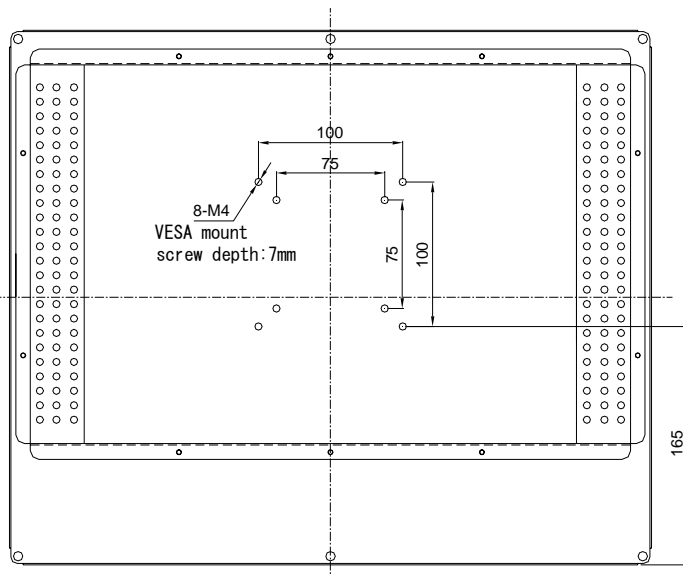
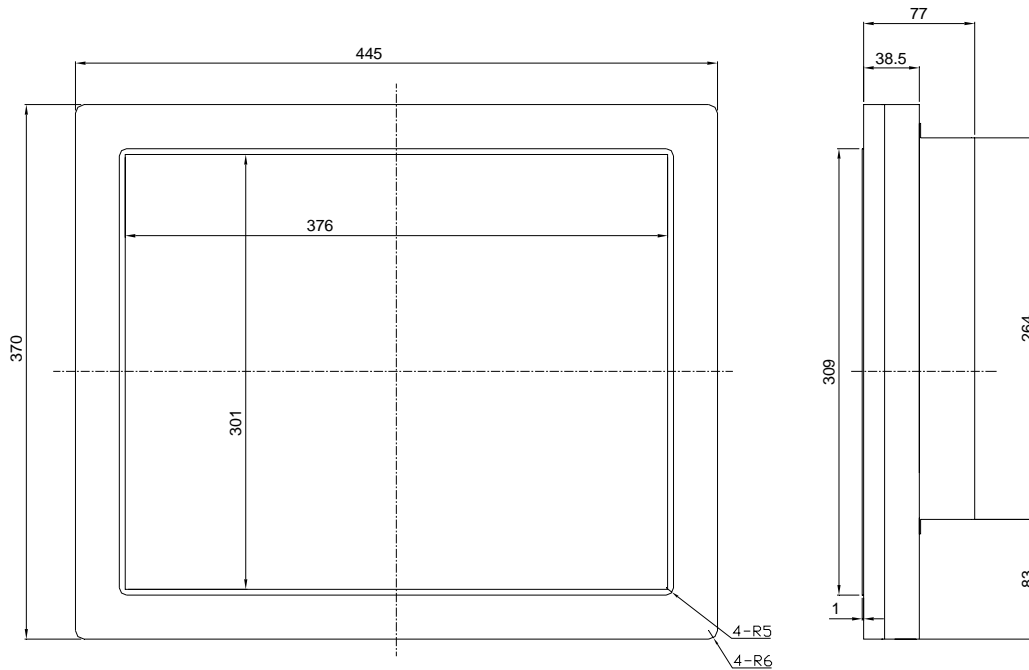
Specifications

| | |
|-------------------------------------|---------------------------------------------------------------------------------|
| Model | TM-1954 |
| Description | 19" TFT Open Frame Touchmonitor |
| Case/Bezel Color | Black |
| Display | 4:3 Ratio Active matrix TFT LCD |
| Optimal(native) resolution | 1280X1024@60Hz |
| Synchronization Range | Horizontal:30-80 kHz; Vertical: 60-75Hz |
| Useful screen area | Horizontal: 14.8" (376 mm);Vertical: 11.85" (301mm) |
| Colors | 16.7 million |
| Brightness | LCD panel: 300cd/m2 (typical) With touchscreen: 280 cd/m2 (typical) |
| Pixel Pitch | 0.294 x 0.294 mm |
| Response Time | 8 msec (typical) |
| Contrast ratio | 800:1 typical |
| Viewing angle(typical, from center) | Horizontal (left/right): 160°(80° /80°) Vertical (up/down): 170°(85° /85°) |
| Backlight Lamp life | 50,000 Hrs to 1/2 brightness |
| Input video format | VGA or DVI optional |
| Input video signal connector | Mini D-Sub 15-Pin VGA type |
| On Screen Display(OSD) | Remote OSD with 1.2m cable |
| Touch Technology | 4W Resistive(SAW, Infrared, Resistive, Capacitive Optional) |
| Touch Interface | Combo 10ms232 and USB interface |
| Touch Resistive Time | 10ms |
| Mounting Options | Open Frame VESA, 75 mm & 100mm |
| Power supply | External:100-240V AC, 50-60 Hz |
| Power Consumption | 50W max |
| Temperature Range | Operating: 0°C to 50°C; Storage: -20°C to 60°C |
| Humidity Range | Operating: 10%-90%; Storage: 5%-90% no condensing |
| Touchmonitor Dimension | 445x 370x 77(mm) |
| Shipping Carton Dimension | 515x 450 x 175(mm) |
| Weight(approx.) | Monitor: 5kg / shipping: 7kg |
| Warranty | Monitor: 3 years'; LCD Panel: 1 year |
| Agency Approvals | FCC, CE, RoHS compliant |



19" Open Frame Touchmonitor

TM-1954



19" Open Frame Touchmonitor

TM-1954

Optional Accessory: Remote OSD Controller Box

