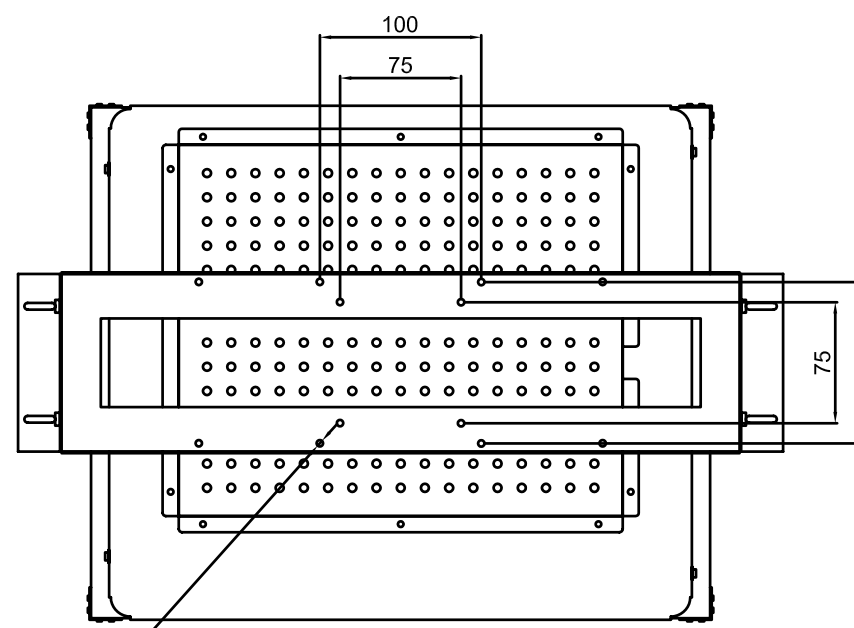
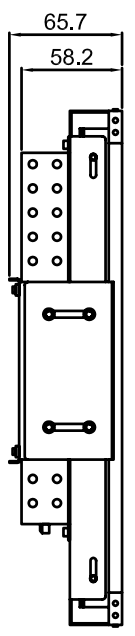
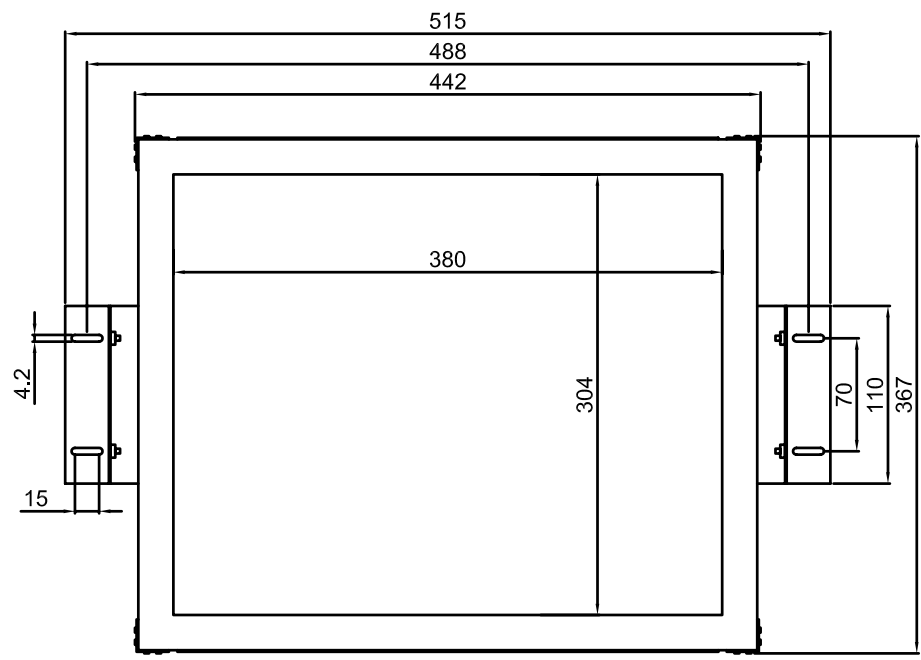
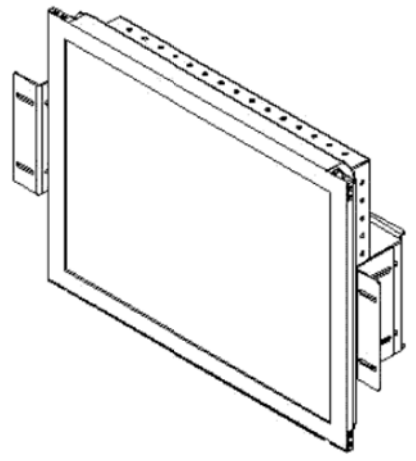
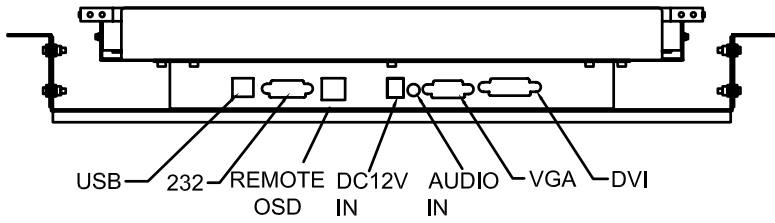


I H G F E D C B A

6  
5  
4  
3  
2  
1

6  
5  
4  
3  
2  
1



- NOTES:  
 1. ALL DIMENSIONS ARE IN MILLIMETERS. DIMENSIONS SHOWN ARE PROJECTED DISTANCES.  
 2. TOUCHSCREEN GLASS THICKNESS: 6mm NOMINAL.  
 3. ANTI-VANDAL WATERPROOF, DUSTPROOF, ANTIMAGNETIC, ANTISTATIC PERFORMANCES.

|      |             |          |      |       |         |  |                                     |                       |
|------|-------------|----------|------|-------|---------|--|-------------------------------------|-----------------------|
|      |             |          |      |       |         | <p>DO NOT SCALE DRAWING UNLESS OTHERWISE SPECIFIED<br/>                 ALL DIMENSIONS ARE IN MILLIMETERS<br/>                 TOLERANCES ARE:<br/>                 LINEAR TOL: X=±1.0<br/>                 .XX=±0.5<br/>                 ANGULAR TOL: ±1°</p> | MODEL<br>TM-1929                    | PROJECTION<br>        |
|      |             |          |      |       |         |  | DESCRIPTION<br>19" SAW touchmonitor | SIZE: A4<br>SCALE 1:1 |
|      |             |          |      |       |         |  | MATERIAL                            | WEIGHT:<br>Kg         |
|      |             |          |      |       |         |  | FINISH                              | COLOR:                |
| A    | FIRST ISSUE | 09-12-02 | Sara | David | CLOUD   | DRAWING NO.:   |                                     | SHEET 1 OF 1          |
| REV. | DESCRIPTION | DATE     | DRAW | CHECK | APPROVE |  |                                     | REV. A                |

I H G F E D C B A