



19" Open Frame Touchmonitor

TM-1929

Features

- Rear Mount
- Slim profile with unique narrow border
- Multiple mounting options
- Rear-mount VESA mounting option and removable wing bracket for VESA
- Detachable cables for easy cable harnessing
- Single power supply for all optional devices
- Multilingual and detachable On Screen Display (OSD)
- Comb Serial and USB touch interface
- Super-sensitive, drift-free, precise touch with no overlay
- Long-lasting product cycle
- Worldwide agency approvals



19" Open Frame Touchmonitor

TM-1929



The TM-192 series Open frame/Rear Mount LCD monitor is a customized rear and side mountable flat panel LCD monitor with the flexibility to integrate touch technologies as SAW (Surface Acoustic Wave) or Infrared touchscreens. These TM series LCD monitors provided you with premium quality in optical resolution, durability and stability. Built with watertight IP65 rated front bezel, this unit becomes completely dust and waterproof. These could also withstand various public and weather conditions.

These sleek LCD monitors are designed for space saving and easy mounting integrations. The rear-mount open-frame configuration along with optional removable side mounting brackets would enable you to easily customize into kiosks, cabinets, in-wall as well as other enclosures.

All of our TM series LCD Touchmonitors will have our industry leadingtouch controller cards with dual touch ports for convenience and flexibility. It will enable to you use both the Serial RS-232 as well as USB port for your touchscreen application. These TM series all come with our standard 1 year's manufacture's warranty.

Product Information

| P/N | Touch Technology |
|---------|----------------------|
| TM-1929 | SAW touchscreen |
| TM-1928 | Infrared touchscreen |

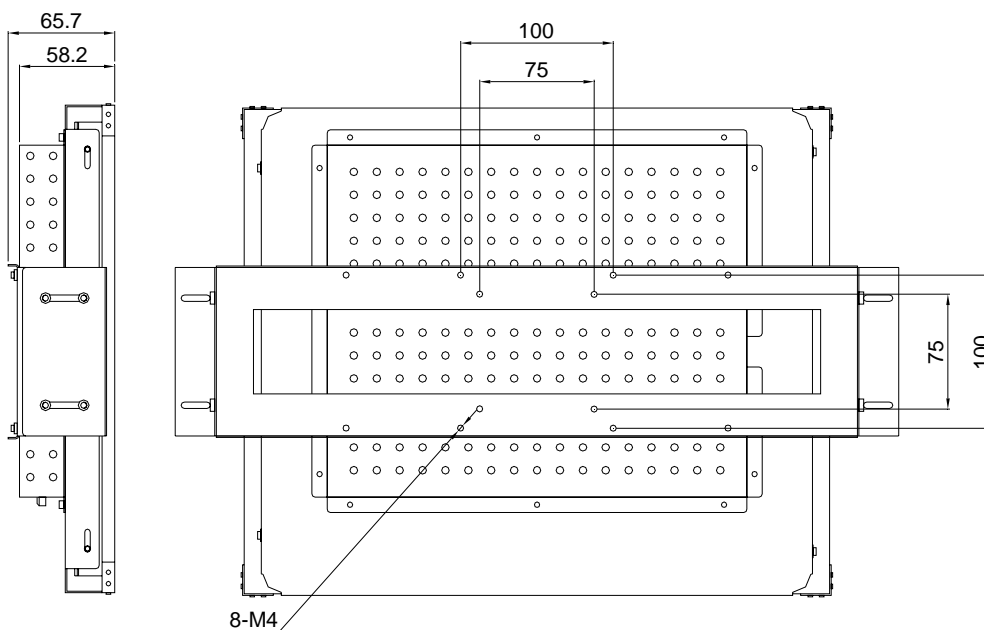
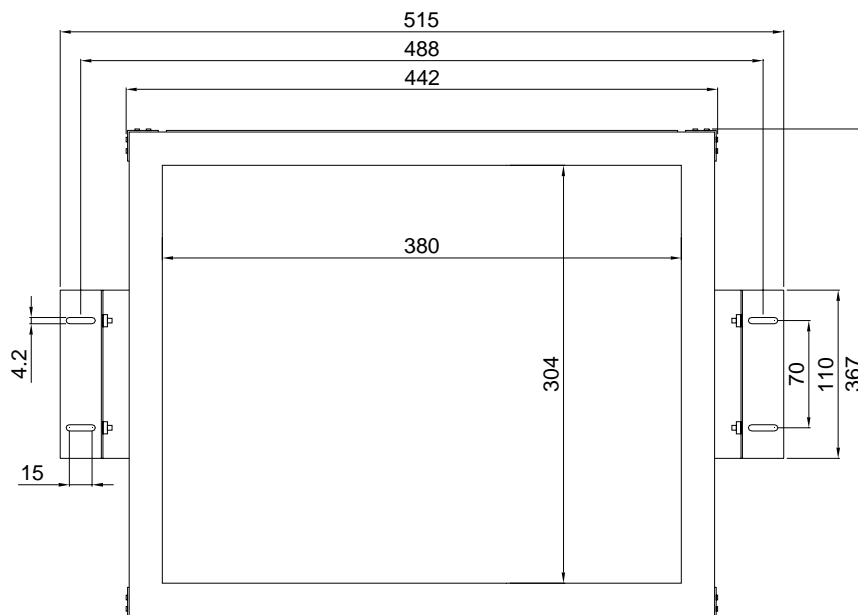
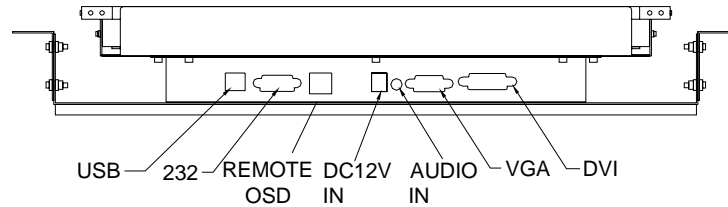
Specifications

| | |
|-------------------------------------|---|
| Model | TM-1929 |
| Description | 19" TFT Open Frame Touchmonitor |
| Case/Bezel Color | Black |
| Display | 4:3 Ratio Active matrix TFT LCD |
| Optimal(native) resolution | 1280X1024@60Hz |
| Synchronization Range | Horizontal:30-80 kHz; Vertical: 60-75Hz |
| Useful screen area | Horizontal: 14.96" (380 mm);Vertical: 11.97" (304mm) |
| Colors | 16.7 million |
| Brightness | LCD panel: 300cd/m2 (typical) With SAW touchscreen: 280 cd/m2 (typical) |
| Pixel Pitch | 0.294 x 0.294 mm |
| Response Time | 8 msec (typical) |
| Contrast ratio | 800:1 typical |
| Viewing angle(typical, from center) | Horizontal (left/right): 160°(80° /80°) Vertical (up/down): 170°(85° /85°) |
| Backlight Lamp life | 50,000 Hrs to 1/2 brightness |
| Input video format | VGA or DVI optional |
| Input video signal connector | Mini D-Sub 15-Pin VGA type |
| On Screen Display(OSD) | Remote OSD with 1.2m cable |
| Touch Technology | SAW(Infrared, Resistive, Capacitive Optional) |
| Touch Interface | Combo 10ms232 and USB interface |
| Touch Resistive Time | 10ms |
| Mounting Options | Open Frame VESA, 75 mm & 100mm |
| Power supply | External:100-240V AC, 50-60 Hz |
| Power Consumption | 50W max |
| Temperature Range | Operating: 0°C to 50°C; Storage: -20°C to 60°C |
| Humidity Range | Operating: 10%-90%; Storage: 5%-90% no condensing |
| Touchmonitor Dimension | 515x 367x 65.7(mm) |
| Shipping Carton Dimension | TBD |
| Weight(approx.) | TBD |
| Warranty | Monitor: 3 years'; LCD Panel: 1 year |
| Agency Approvals | FCC, CE, RoHS compliant |



19" Open Frame Touchmonitor

TM-1929



19" Open Frame Touchmonitor

TM-1929

Optional Accessory: Remote OSD Controller Box

