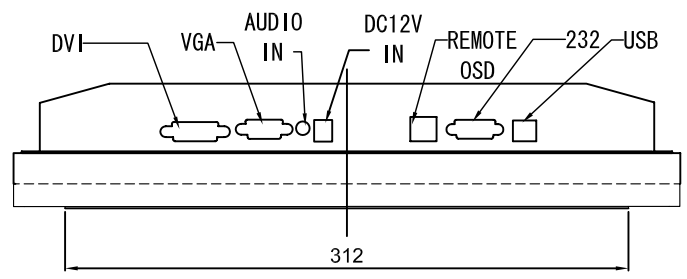
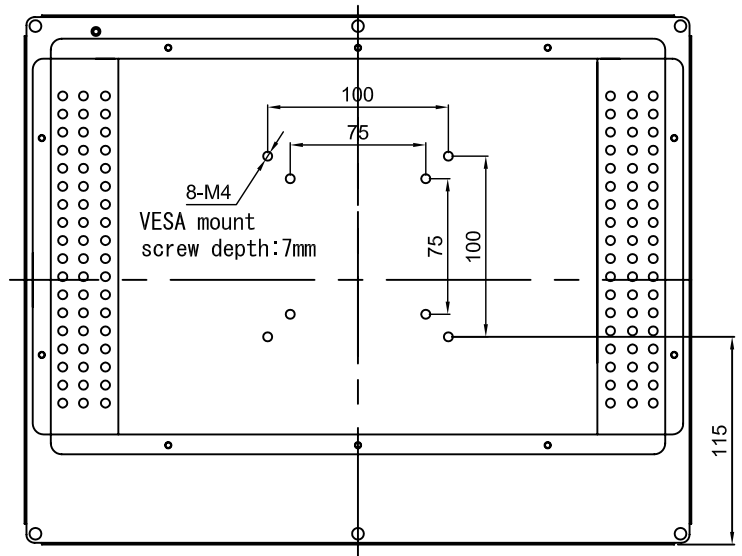
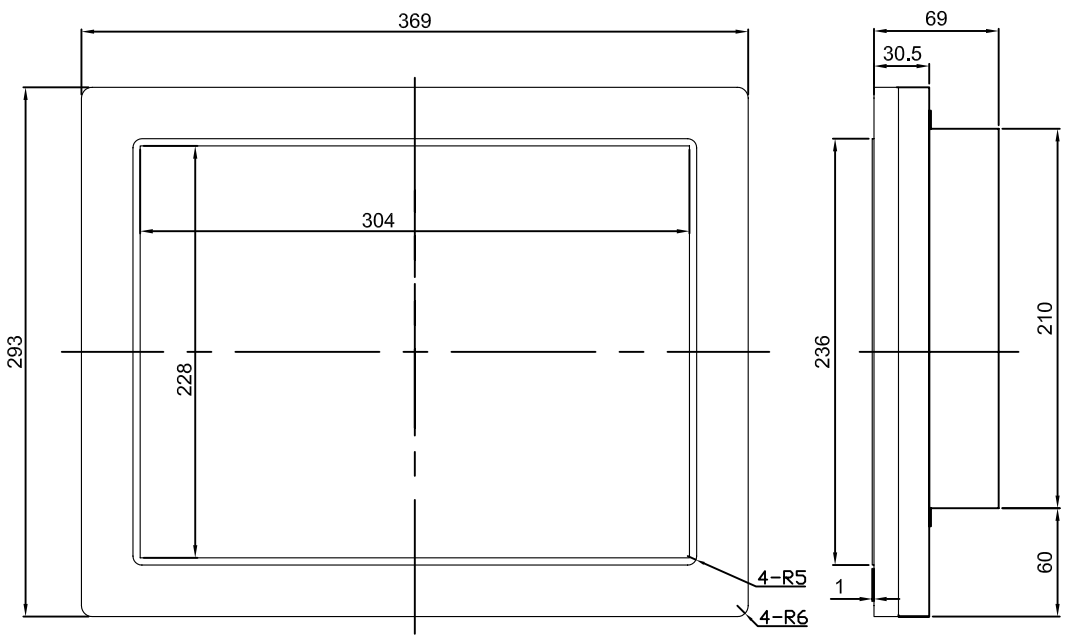


I H G F E D C B A

6  
5  
4  
3  
2  
1

6  
5  
4  
3  
2  
1



						<p><b>Leading Touch</b></p> <p>DO NOT SCALE DRAWING UNLESS OTHERWISE SPECIFIED ALL DIMENSIONS ARE IN MILLIMETERS TOLERANCES ARE: LINEAR TOL: X=±1.0 .XX=±0.5 ANGULAR TOL: ±1°</p>	MODEL TM-1558	PROJECTION 
							DESCRIPTION 15" touchmonitor	SIZE: A4
							MATERIAL	WEIGHT: Kg
							FINISH	COLOR: BLACK
A	FIRST ISSUE	09-9-22	Sara	David	CLOUD	DRAWING NO.:	SHEET 1 OF 1	REV. A

I H G F E D C B A