



15" Rear Mount Touchmonitor

Model: TM-1549

Features

Rear Mount

Slim profile with unique narrow border

Multiple mounting options

Rear-mount VESA mounting option and removable wing bracket for VESA

Detachable cables for easy cable harnessing

Single power supply for all optional devices

Multilingual and detachable On Screen Display (OSD)

Comb Serial and USB touch interface

Super-sensitive, drift-free, precise touch with no overlay

Long-lasting product cycle

Worldwide agency approvals



15" Rear Mount Touchmonitor

TM-1549



Leadingtouch Rear Mount LCD's touchmonitors are designed for easy integration into kiosk, gaming machine, industrial enclosure and other installations where compact, touch-integrated display are preferred. TM-154 series integrate the Leadingtouch's IP65 level SAW, Resistive, Capacitive or Infrared touchscreen, TM-154 series is Dustproof and Waterproof touchmonitors.

TM-154 series are designed for space saving and easy mounting integrations. The rear-mount configuration along with optional size mounting brackets would enable you to easily customize into kiosks, cabinets, in-wall as well as other enclosures.

TM-154 series will have Leadingtouch Combo controller with dual touch ports for convenience and flexibility. It will enable you to use both the Serial RS-232 as well as USB port for your touchscreen application.

Product Information

P/N	Touch Technology
TM-1549	SAW touchscreen
TM-1547	Capacitive touchscreen
TM-1544	4 Wire Resistive touchscreen
TM-1545	5 Wire Resistive touchscreen

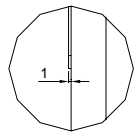
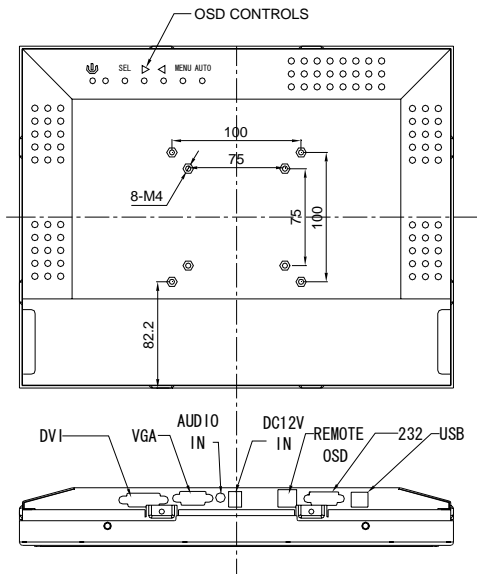
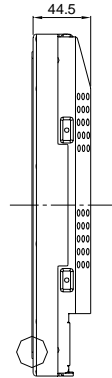
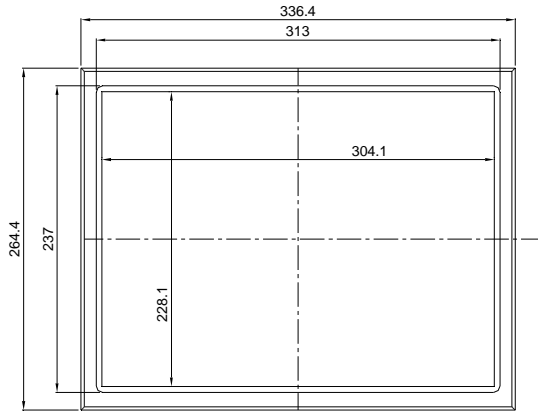
Specifications

Model	TM-1549
Description	15" TFT Rear Mount Touchmonitor
Case/Bezel Color	Black
Display	4:3 Ratio Active matrix TFT LCD
Optimal(native) resolution	1024X768@60Hz
Synchronization Range	Horizontal:30-80 kHz; Vertical: 24.5-45kHz
Useful screen area	Horizontal: 11.97" (304.1 mm);Vertical: 8.98" (228.1 mm)
Colors	16.7 million
Brightness	LCD panel: 250 cd/m2 (typical) With SAW or Infrared touchscreen: 250 cd/m2 (typical)
Pixel Pitch	0.297 x 0.297 mm
Response Time	16 msec (typical)
Contrast ratio	450:1 typical
Viewing angle(typical, from center)	Horizontal (left/right): 120°(60° /60°) Vertical (up/down): 100°(50° /50°)
Backlight Lamp life	50,000 Hrs to 1/2 brightness
Input video format	VGA or DVI optional
Input video signal connector	Mini D-Sub 15-Pin VGA type
On Screen Display(OSD)	Remote OSD with 1.2m cable
Touch Technology	SAW(Resistive, Capacitive Optional)
Touch Interface	Combo 10ms232 and USB interface
Touch Resistive Time	10ms
Mounting Options	Rear Fixed, 75 mm & 100mm VESA mount
Power supply	External:100-240V AC, 50-60 Hz
Power Consumption	50W max
Temperature Range	Operating: 0°C to 50°C; Storage: -20°C to 60°C
Humidity Range	Operating: 20%-85%; Storage: 10%-95%
Touchmonitor Dimension	336.4 x 2644 x 44.5(mm)
Shipping Carton Dimension	410 x 360 x 165(mm)
Weight(approx.)	Monitor: 2.9kg / shipping: 5kg
Warranty	Monitor: 3 years'; LCD Panel: 1 year
Agency Approvals	FCC, CE, RoHS compliant

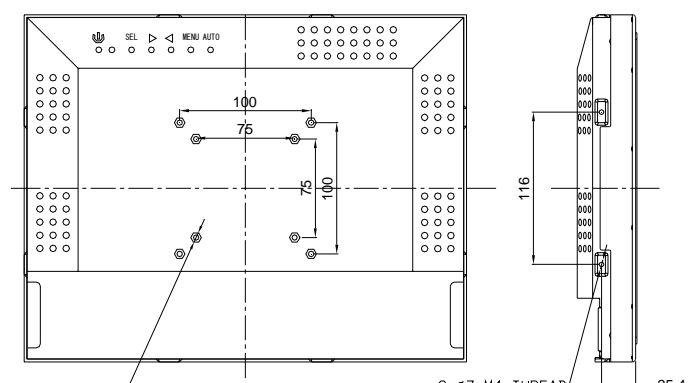
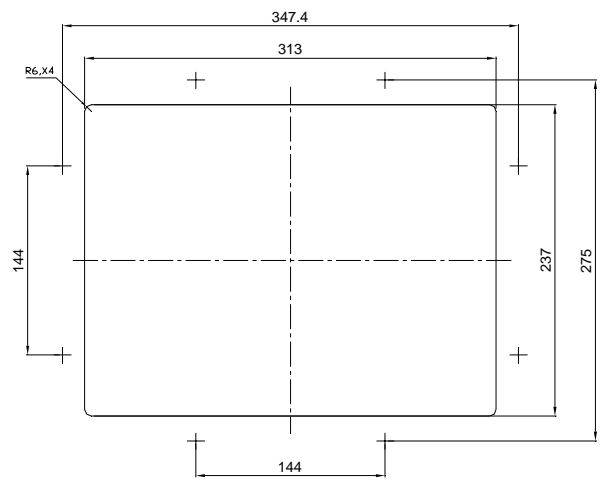


15" Rear Mount Touchmonitor

TM-1549



RECOMMEND CUSTOMER PANEL CUT-OUT

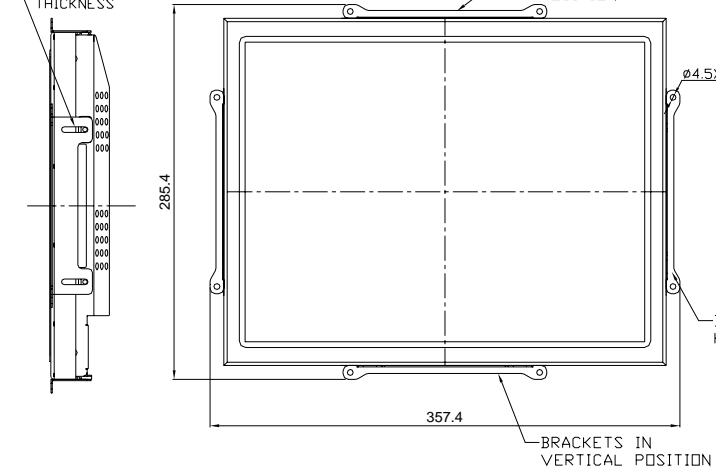


8-Ø7 M4 THREAD
 VESA MOUNT MAX: SCREW DEPTH TH:7mm
 SIDE MOUNT MAX: SCREW VERTICAL DEPTH TH:7mm

MOUNTING BRACKETS ACCOMMODATE MAX. 14mm MATERIAL THICKNESS

REAR MOUNT WITH BRACKETS HORIZONTAL OR VERTICAL

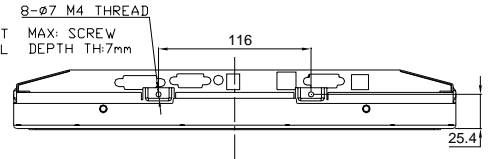
BRACKETS IN HORIZONTAL POSITION



BRACKETS IN HORIZONTAL POSITION

BRACKETS IN VERTICAL POSITION

8-Ø7 M4 THREAD
 SIDE MOUNT MAX: SCREW DEPTH TH:7mm



15" Rear Mount Touchmonitor

TM-1549

Optional Accessory: Remote OSD Controller Box

