



## 15" Infrared Rear Mount Touchmonitor

**Model: TM-1548**

### Features

- Rear Mount
- Slim profile with unique narrow border
- Multiple mounting options
- Rear-mount VESA mounting option and removable wing bracket for VESA
- Detachable cables for easy cable harnessing
- Single power supply for all optional devices
- Multilingual and detachable On Screen Display (OSD)
- Comb Serial and USB touch interface
- Super-sensitive, drift-free, precise touch with no overlay
- Long-lasting product cycle
- Worldwide agency approvals



# 15" Infrared Rear Mount Touchmonitor

## Model: TM-1548



Leadingtouch Rear Mount LCD's touchmonitors are designed for easy integration into kiosk, gaming machine, industrial enclosure and other installations where compact, touch-integrated display are preferred. TM-1548 is Dustproof and Waterproof touchmonitor. Anti-Vandalism touchscreen is available for special application

TM-1548 is designed for space saving and easy mounting integration. The rear-mount configuration along with optional side mounting brackets would enable you to easily customize into kiosks, cabinets, in-wall as well as other enclosures.

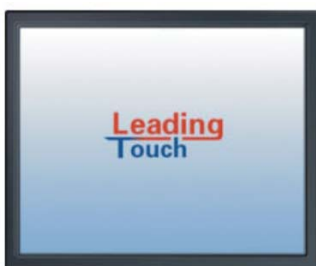
TM-1548 will have Leadingtouch Combo controller with dual touch ports for convenience and flexibility. It will enable you to use both the Serial RS-232 as well as USB port for your touch application.

### Product Information

P/N	Touch Technology
TM-1548	Infrared touchscreen

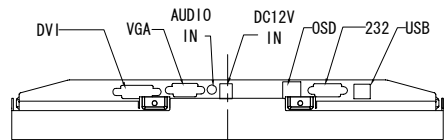
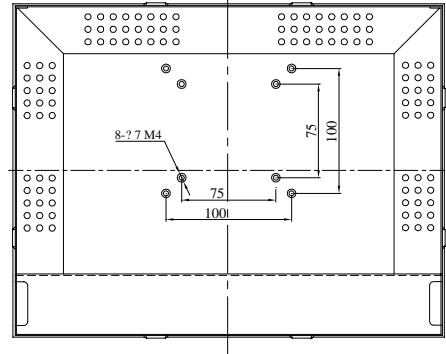
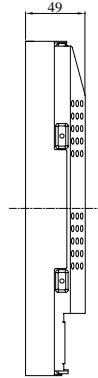
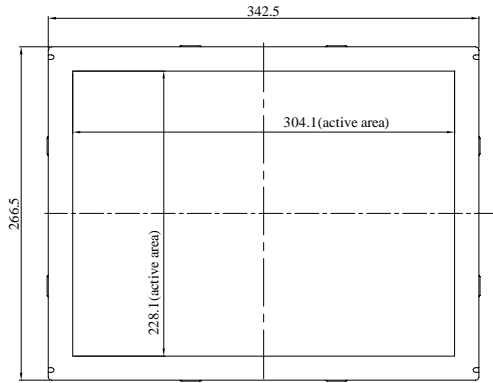
### Specifications

Model	TM-1548
Description	15" TFT Rear Mount Touchmonitor
Case/Bezel Color	Black
Display	4:3 Ratio Active matrix TFT LCD
Optimal(native) resolution	1024X768@60Hz
Synchronization Range	Horizontal:30-80 kHz; Vertical: 24.5-45kHz
Useful screen area	Horizontal: 11.97" (304.1 mm);Vertical: 8.98" (228.1 mm)
Colors	16.7 million
Brightness	LCD panel: 250 cd/m2 (typical) With Infrared touchscreen: 250 cd/m2 (typical)
Pixel Pitch	0.297 x 0.297 mm
Response Time	16 msec (typical)
Contrast ratio	450:1 typical
Viewing angle(typical, from center)	Horizontal (left/right): 120°(60° /60° ) Vertical (up/down): 100°(50° /50° )
Backlight Lamp life	50,000 Hrs to 1/2 brightness
Input video format	VGA or DVI optional
Input video signal connector	Mini D-Sub 15-Pin VGA type
On Screen Display(OSD)	Remote OSD with 1.2m cable
Touch Technology	Infrared
Touch Interface	Combo 10ms232 and USB interface
Touch Resistive Time	10ms
Mounting Options	Rear Fixed, 75 mm & 100mm VESA mount
Power supply	External:100-240V AC, 50-60 Hz
Power Consumption	50W max
Temperature Range	Operating: 0°C to 50°C; Storage: -20°C to 60°C
Humidity Range	Operating: 20%-85%; Storage: 10%-95%
Touchmonitor Dimension	342.5 x 266.5 x 49(mm)
Shipping Carton Dimension	410 x 360 x 165(mm)
Weight(approx.)	Monitor: 2.9kg / shipping: 5kg
Warranty	Monitor: 3 years'; LCD Panel: 1 year
Agency Approvals	FCC, CE, RoHS compliant

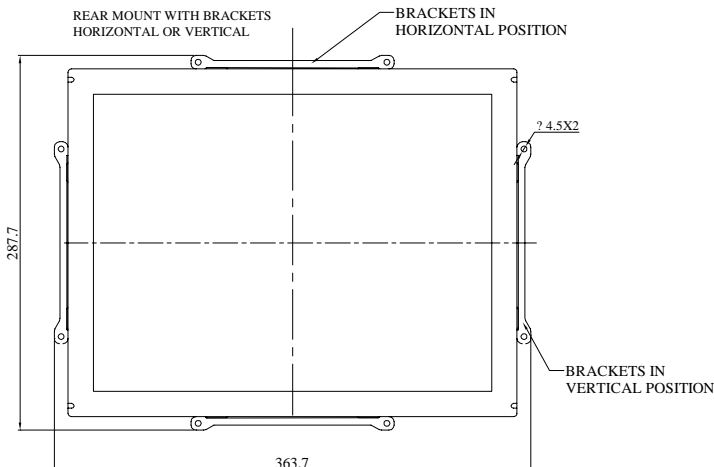
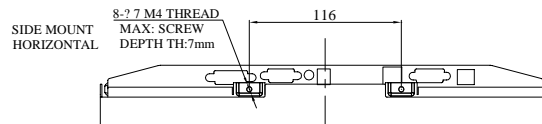
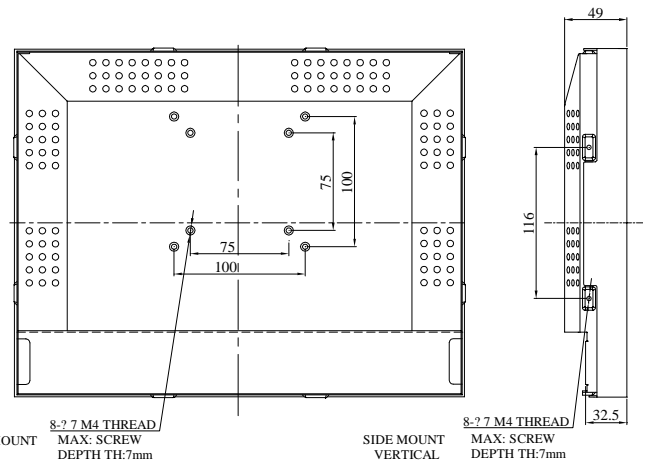
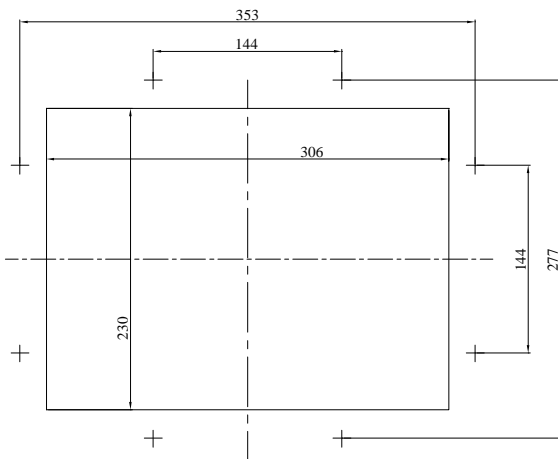


# 15" Infrared Rear Mount Touchmonitor

## Model: TM-1548



RECOMMEND CUSTOMER PANEL CUT-OUT



# 15" Infrared Rear Mount Touchmonitor

## Model: TM-1548

Optional Accessory: Remote OSD Controller Box

