



15" Rear Mount Touchmonitor

TM-1544

Features

- Rear Mount
- Slim profile with unique narrow border
- Multiple mounting options
- Rear-mount VESA mounting option and removable wing bracket for VESA
- Detachable cables for easy cable harnessing
- Single power supply for all optional devices
- Multilingual and detachable On Screen Display (OSD)
- Comb Serial and USB touch interface
- Super-sensitive, drift-free, precise touch with no overlay
- Long-lasting product cycle
- Worldwide agency approvals



15" Rear Mount Touchmonitor

TM-1544



Leadingtouch Rear Mount LCD's touchmonitors are designed for easy integration into kiosk, gaming machine, industrial enclosure and other installations where compact, touch-integrated display are preferred. TM-154 series integrate the Leadingtouch's IP65 level SAW, Resistive, Capacitive or Infrared touchscreen, TM-154 series is Dustproof and Waterproof touchmonitors.

TM-154 series are designed for space saving and easy mounting integrations. The rear-mount configuration along with optional side mounting brackets would enable you to easily customize into kiosks, cabinets, in-wall as well as other enclosures.

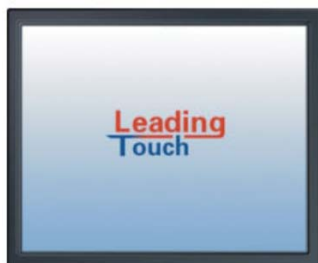
TM-154 series will have Leadingtouch Combo controller with dual touch ports for convenience and flexibility. It will enable you to use both the Serial RS-232 as well as USB port for your touchscreen application.

Product Information

P/N	Touch Technology
TM-1549	SAW touchscreen
TM-1547	Capacitive touchscreen
TM-1544	4 Wire Resistive touchscreen
TM-1545	5 Wire Resistive touchscreen

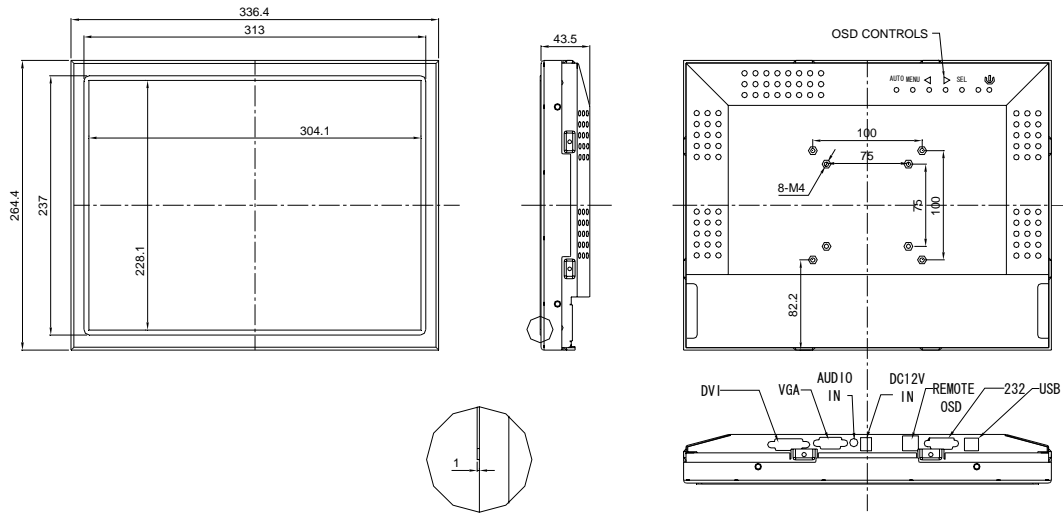
Specifications

Model	TM-1544
Description	15" TFT Rear Mount Touchmonitor
Case/Bezel Color	Black
Display	4:3 Ratio Active matrix TFT LCD
Optimal(native) resolution	1024X768@60Hz
Synchronization Range	Horizontal:30-80 kHz; Vertical: 24.5-45kHz
Useful screen area	Horizontal: 11.97" (304.1 mm);Vertical: 8.98" (228.1 mm)
Colors	16.7 million
Brightness	LCD panel: 250 cd/m2 (typical) With touchscreen: 250 cd/m2 (typical)
Pixel Pitch	0.297 x 0.297 mm
Response Time	16 msec (typical)
Contrast ratio	450:1 typical
Viewing angle(typical, from center)	Horizontal (left/right): 120°(60° /60°) Vertical (up/down): 100°(50° /50°)
Backlight Lamp life	50,000 Hrs to 1/2 brightness
Input video format	VGA or DVI optional
Input video signal connector	Mini D-Sub 15-Pin VGA type
On Screen Display(OSD)	Remote OSD with 1.2m cable
Touch Technology	4W Resistive(SAW, 5WResistive, Capacitive Optional)
Touch Interface	Combo 10ms232 and USB interface
Touch Resistive Time	10ms
Mounting Options	Rear Fixed, 75 mm & 100mm VESA mount
Power supply	External:100-240V AC, 50-60 Hz
Power Consumption	50W max
Temperature Range	Operating: 0°C to 50°C; Storage: -20°C to 60°C
Humidity Range	Operating: 20%-85%; Storage: 10%-95%
Touchmonitor Dimension	336.4 x 264.4 x 44.5(mm)
Shipping Carton Dimension	410 x 360 x 165(mm)
Weight(approx.)	Monitor: 2.9kg / shipping: 5kg
Warranty	Monitor: 3 years'; LCD Panel: 1 year
Agency Approvals	FCC, CE, RoHS compliant

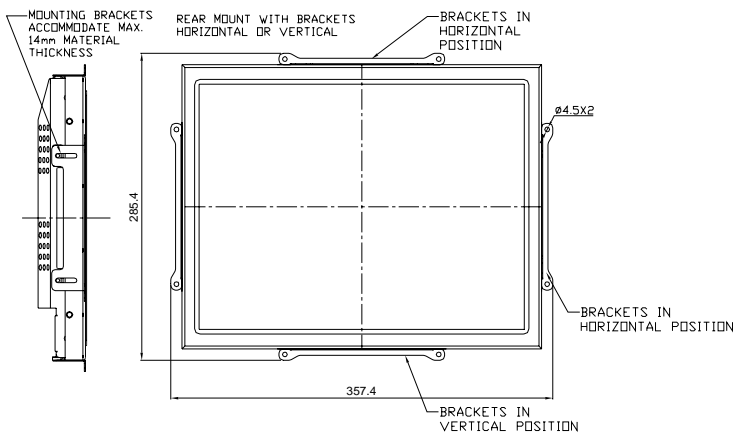
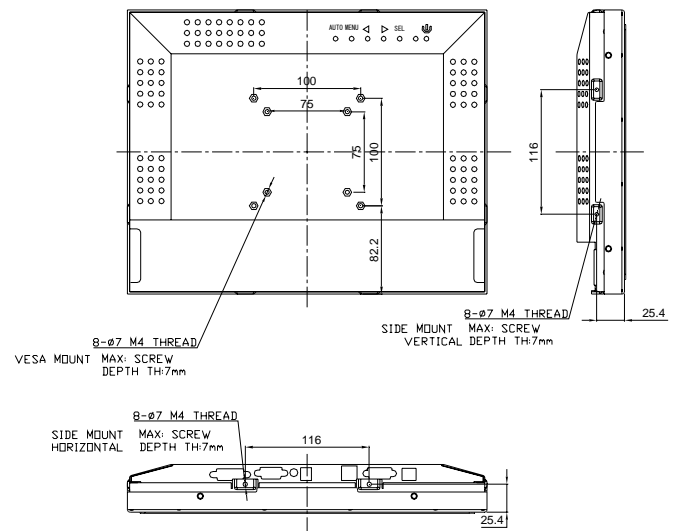
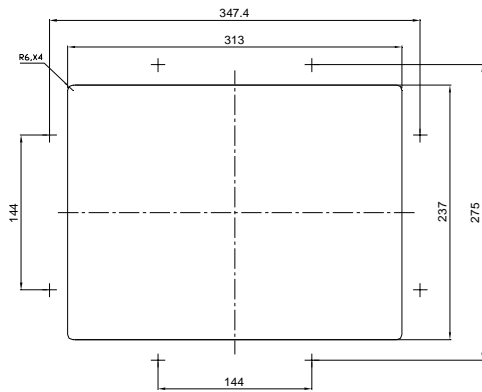


15" Rear Mount Touchmonitor

TM-1544



RECOMMEND CUSTOMER PANEL CUT-OUT



15" Rear Mount Touchmonitor

TM-1544

Optional Accessory: Remote OSD Controller Box

