



15" Open Frame Touchmonitor

Model: TM-1529

Features

- Rear Mount
- Slim profile with unique narrow border
- Multiple mounting options
- Rear-mount VESA mounting option and removable wing bracket for VESA
- Detachable cables for easy cable harnessing
- Single power supply for all optional devices
- Multilingual and detachable On Screen Display (OSD)
- Comb Serial and USB touch interface
- Super-sensitive, drift-free, precise touch with no overlay
- Long-lasting product cycle
- Worldwide agency approvals



15" Open Frame Touchmonitor

TM-1529



The TM-152 series Open frame/Rear Mount LCD monitor is a customized rear and side mountable flat panel LCD monitor with the flexibility to integrate touch technologies as SAW (Surface Acoustic Wave) or Infrared touchscreens. These TM series LCD monitors provided you with premium quality in optical resolution, durability and stability. Built with watertight IP65 rated front bezel, this unit becomes completely dust and waterproof. These could also withstand various public and weather conditions.

These sleek LCD monitors are designed for space saving and easy mounting integrations. The rear-mount open-frame configuration along with optional removable side mounting brackets would enable you to easily customize into kiosks, cabinets, in-wall as well as other enclosures.

All of our TM series LCD Touchmonitors will have our industry leadingtouch controller cards with dual touch ports for convenience and flexibility. It will enable to you use both the Serial RS-232 as well as USB port for your touchscreen application. These TM series all come with our standard 1 year's manufacture's warranty.

Product Information

P/N	Touch Technology
TM-1529	SAW touchscreen
TM-1528	Infrared touchscreen

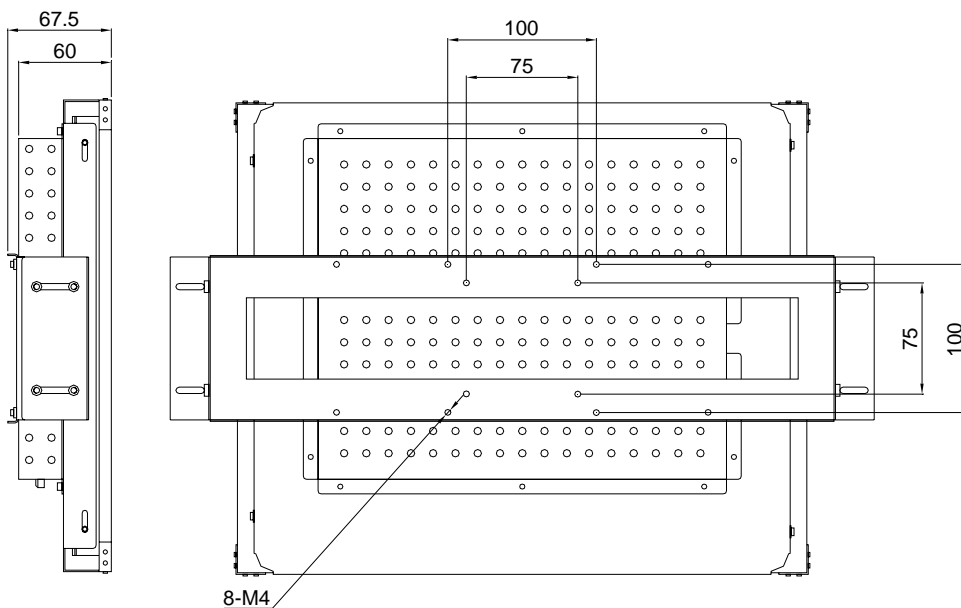
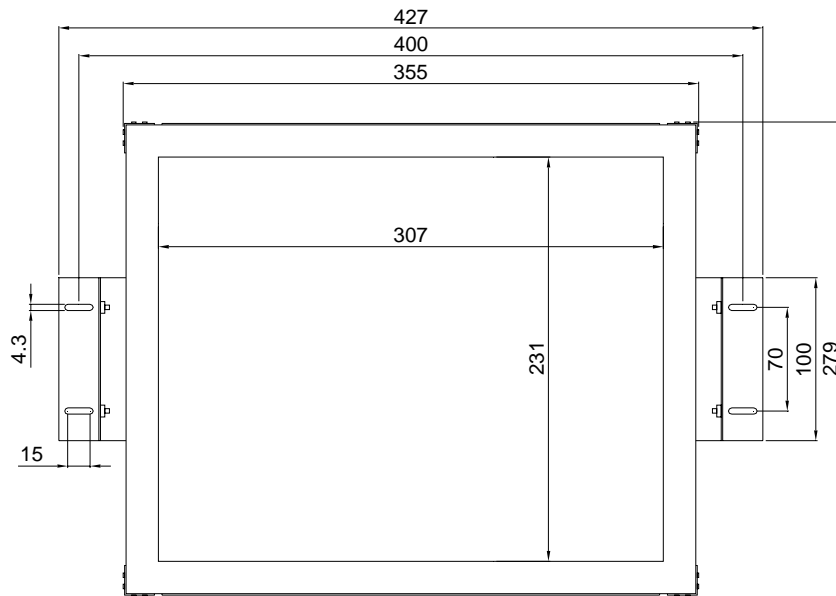
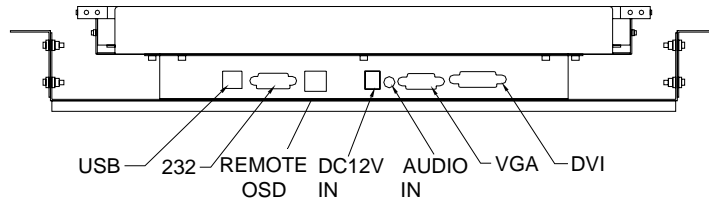
Specifications

Model	TM-1529
Description	15" TFT Rear Mount Touchmonitor
Case/Bezel Color	Black
Display	4:3 Ratio Active matrix TFT LCD
Optimal(native) resolution	1024X768@60Hz
Synchronization Range	Horizontal:30-80 kHz; Vertical: 24.5-45kHz
Useful screen area	Horizontal: 12.1" (307 mm);Vertical: 9.1" (231 mm)
Colors	16.7 million
Brightness	LCD panel: 250 cd/m2 (typical) With SAW or Infrared touchscreen: 230 cd/m2 (typical)
Pixel Pitch	0.297 x 0.297 mm
Response Time	16 msec (typical)
Contrast ratio	450:1 typical
Viewing angle(typical, from center)	Horizontal (left/right): 120°(60° /60°) Vertical (up/down): 100°(50° /50°)
Backlight Lamp life	50,000 Hrs to 1/2 brightness
Input video format	VGA or DVI optional
Input video signal connector	Mini D-Sub 15-Pin VGA type
On Screen Display(OSD)	Remote OSD with 1.2m cable
Touch Technology	SAW(Resistive, Capacitive Optional)
Touch Interface	Combo 10ms232 and USB interface
Touch Resistive Time	10ms
Mounting Options	Rear Fixed, 75 mm & 100mm VESA mount
Power supply	External:100-240V AC, 50-60 Hz
Power Consumption	50W max
Temperature Range	Operating: 0°C to 50°C; Storage: -20°C to 60°C
Humidity Range	Operating: 20%-85%; Storage: 10%-95%
Touchmonitor Dimension	427 x 279 x 67.5(mm)
Shipping Carton Dimension	470 x 380 x 310(mm)
Weight(approx.)	Monitor: 2.9kg / shipping: 5kg
Warranty	Monitor: 3 years'; LCD Panel: 1 year
Agency Approvals	FCC, CE, RoHS compliant



15" Open Frame Touchmonitor

TM-1529



15" Open Frame Touchmonitor

TM-1529

Optional Accessory: Remote OSD Controller Box

