

I H G F E D C B A

6

5

4

3

2

1

6

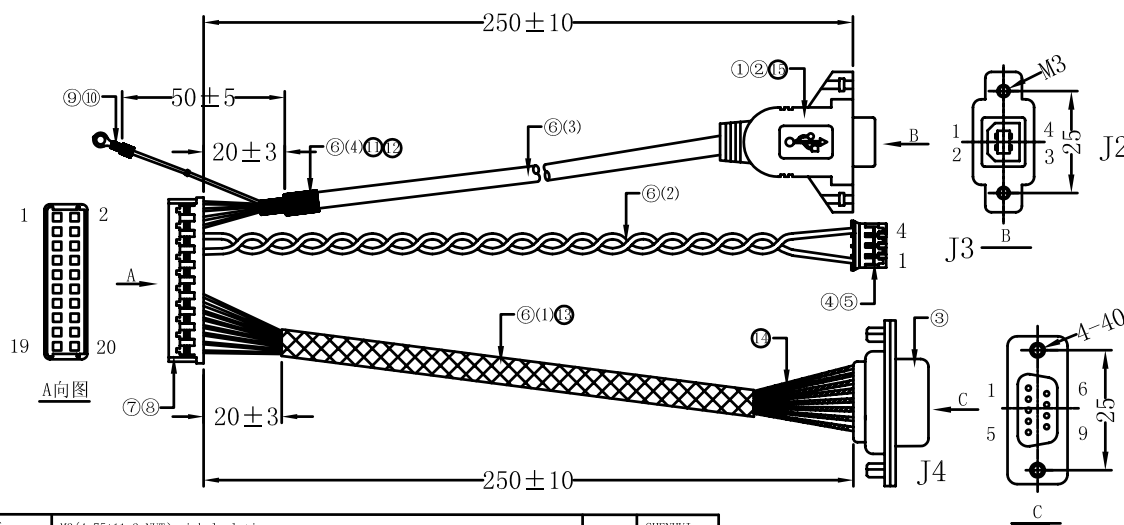
5

4

3

2

1



Technical requirements:  
 1、 All material must be compliant with ROHS  
 2、 The cable at J1 stripped 2.0mm;sheath at J3 J4 stripped 2.5mm, sheath at J2 stripped 17mm,cable cutted off 5mm and then stripped 2.5mm 。  
 3、 USB at J1 stripped 25mm, GND left with 5mm, jump out with UL1007 22AWG black cable.  
 4、 UL1007 22AWG cable,stripped 3.5mm at both sides  
 5、 UL1571 28AWG twist into one  
 6、 While weld DB9F, weld point covered with 1.5\*12 Heat Shrink Tubing  
 7、 The triangle symbol at A1252H-2\*10P hole receptacle is No.1  
 8、 The male plug of USB BF will need nut while moding  
 Mould model: UB-00N3B-1 UB-00W3B-1

A1252H-2\*10P PH-4P

5 — RED — 1  
 6 — BLACK — 4

A1252H-2\*10P DB9F

11 — RED — 1  
 12 — GREEN — 6  
 13 — ORANGE — 2  
 14 — BLUE — 7  
 15 — YELLOW — 3  
 16 — PURPLE — 8  
 17 — BROWN — 4  
 19 — BLACK — 5

ASSY:

A1252H-2\*10P USB BF

1 — RED — 1  
 2 — BLACK — 4  
 3 — WHITE — 2  
 4 — GREEN — 3  
 4 — KNIT — SHELL

15	NUT	M3(4.75*11.3 NUT) nickel plating	2	SHENHUI
14	Heat Shrink Tubing	φ1.5*12mm black (thin)	8	CHANGYUAN
13	Heat Shrink Tubing	φ5.0*225mm black (thin)	1	CHANGYUAN
12	Heat Shrink Tubing	φ1.5*8mm white (thick)	1	CHANGYUAN
11	Heat Shrink Tubing	φ4.5*17mm black (thin)	1	CHANGYUAN
10	Terminal	OT3.2 terminal circle (602-B5-2) nickel plating	1	XINSHENG
9	Heat Shrink Tubing	φ2.5*13mm black (thin)	1	CHANGYUAN
8	hole receptacle	A1252H-2*10P	1	SHANGYI
7	Terminal	A1252-TPE nickel plating	14	SHANGYI
6	Cable	(4)UL1007 22AWG black 50±2mm	1	HENGDIAN
		(3)UL2725 28AWG 1P+2C+AEB OD:3.8 black 255±5mm	1	LIANYIN
		(2)UL1571 28AWG red black 265±2mm	each 1	RISHENG
		(1)UL1061 28AWG black brown red orange yellow green blue purple 255±2mm	each 1	HENGDIAN
5	hole receptacle	PH-4P	1	CHUANGFA
4	Terminal	PH-T nickel plating	2	CHUANGFA
3	PLUG	DB9F female	1	JINAN
2	PVC	45P PVC black 8.9g inside mould material 2.4g		HAOCHANG
1	PLUG	USB BF female	1	NIJIATE
NO.	NAME	Material spec	QTY	NOTE

						<b>Leading Touch</b> DO NOT SCALE DRAWING UNLESS OTHERWISE SPECIFIED ALL DIMENSIONS ARE IN MILLIMETERS TOLERANCES ARE: LINEAR TOL: X=±1.0 .XX=±0.5 ANGULAR TOL: ±1°	MODEL	14-831-025	PROJECTION	
							DESCRIPTION	Dual cable(20pin)	SIZE:	A4
							MATERIAL		WEIGHT:	Kg
							FINISH		COLOR:	BLACK
A	FIRST ISSUE	08-7-23	Sara	Kevin	Gray Wang	DRAWING NO.:		SHEET 1 OF 1	REV. A	

I H G F E D C B A